



SJT TRAINING

SAM[®]
MEDICAL

SAM[®]
MEDICAL



SAM JUNCTIONAL TOURNIQUET

<https://www.youtube.com/watch?v=8o7myD-u8KM>

SAM JUNCTIONAL TOURNIQUET

Where standard tourniquets may not be applicable, SJT can be applied in under 25 seconds, controlling bleeding and immobilizing pelvic fractures. SAM[®] Junctional Tourniquet (SJT) is designed to control hemorrhages and bleeding in inguinal or axilla areas.

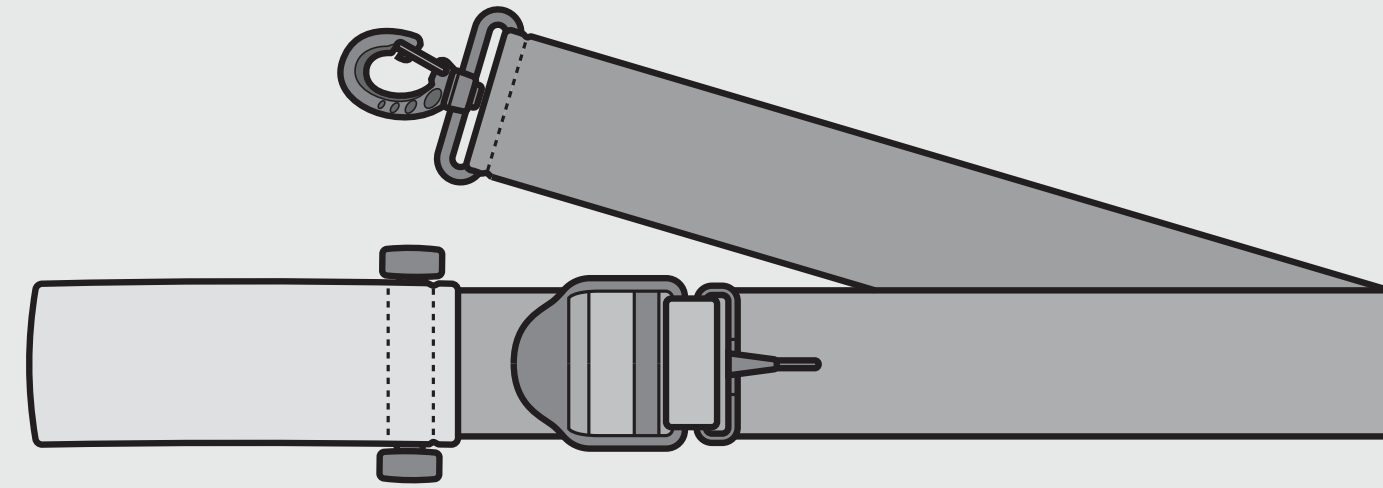


ENGINEERED TO PRESERVE LIFE

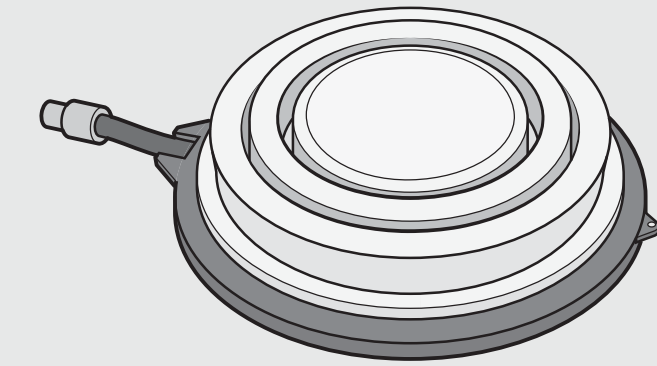
ENGINEERED TO PRESERVE LIFE



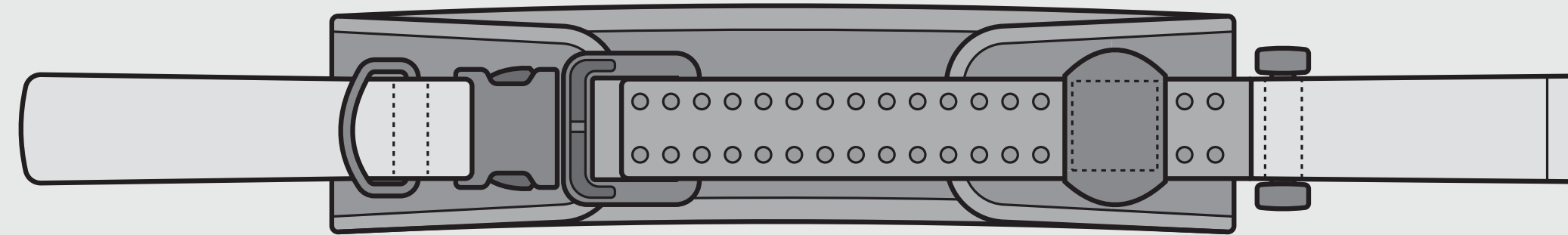
Bag



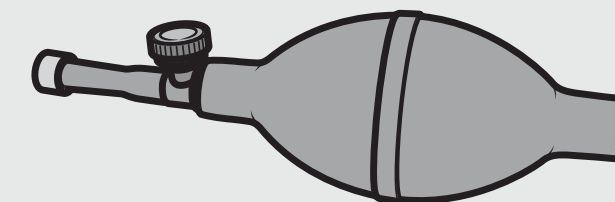
Auxillary Strap



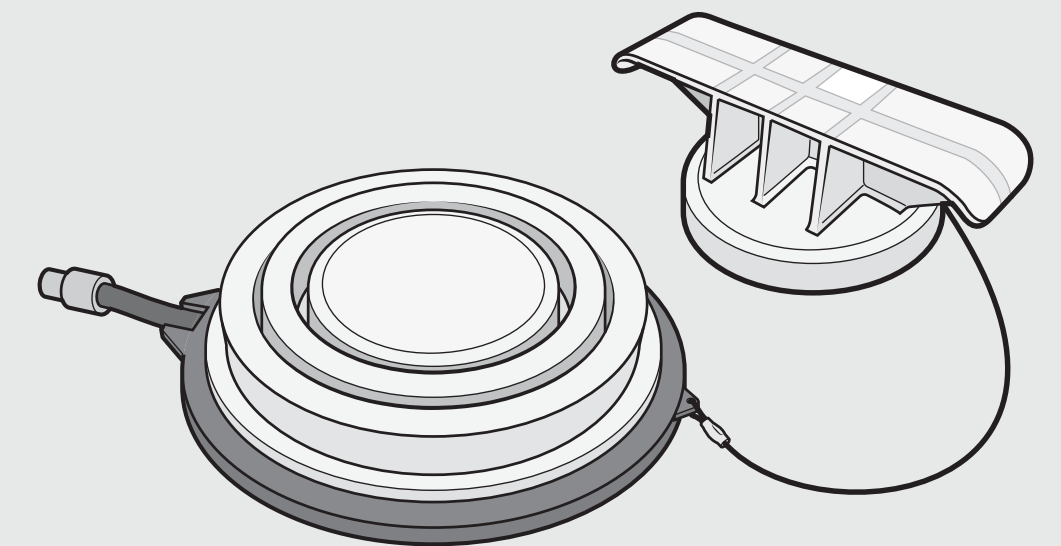
TCD



Belt



Hand Pump

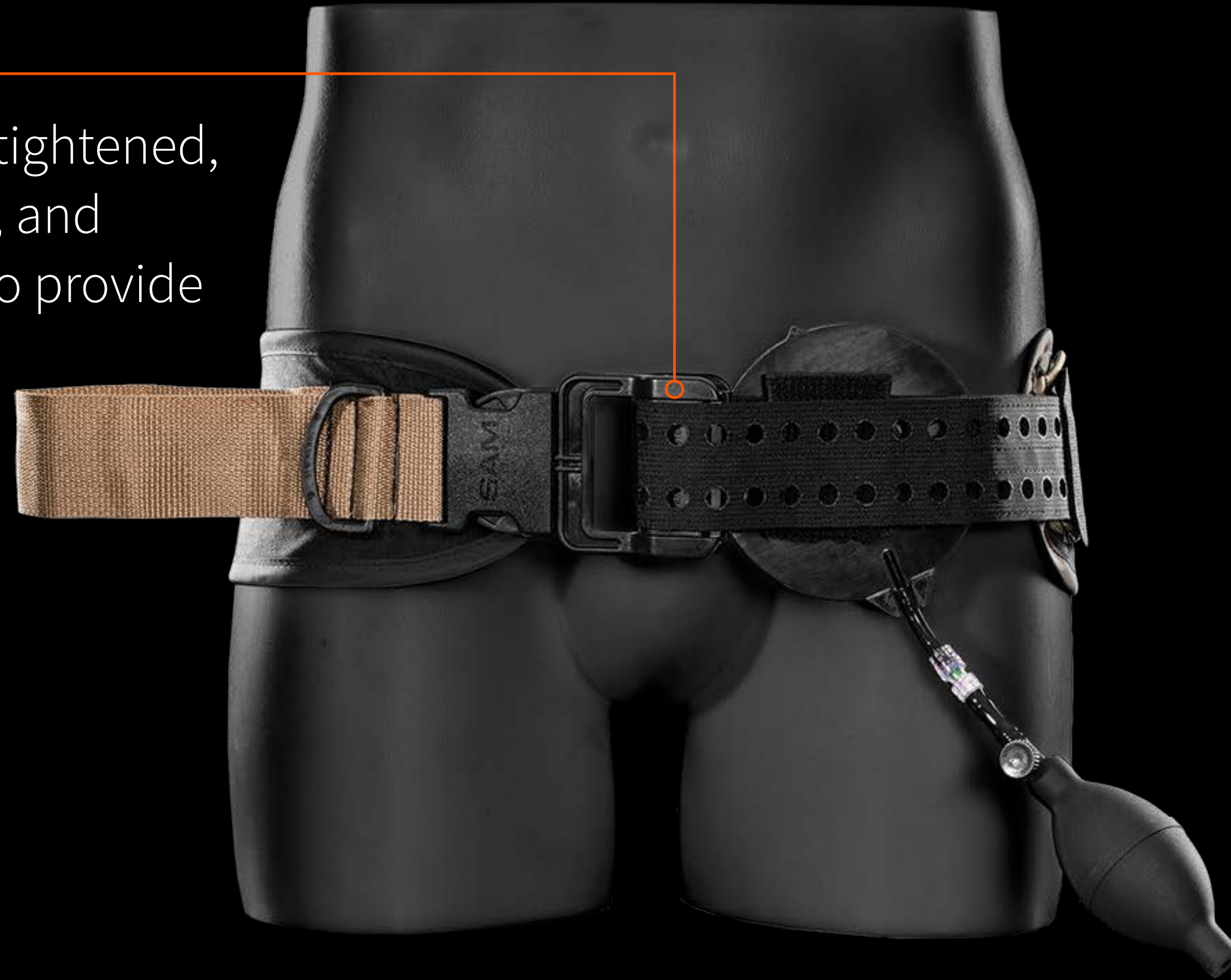


TCD + Extender

ENGINEERED TO PRESERVE LIFE

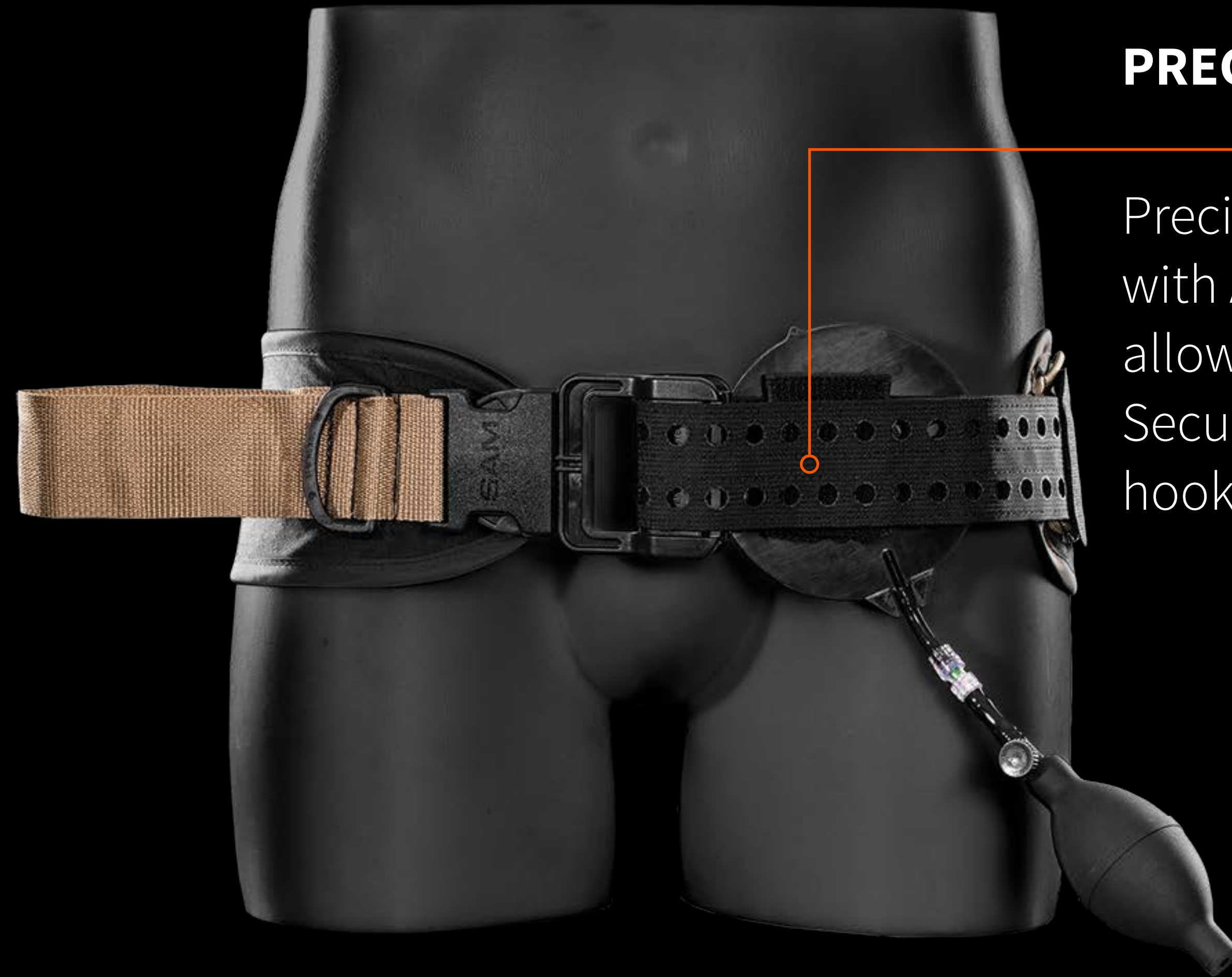
AUTOSTOP BUCKLE

Buckle cannot be over-tightened, maintains correct force, and makes a “click” sound to provide clear feedback and confirmation of proper application.



<https://www.youtube.com/watch?v=2G7HBQUZqus>

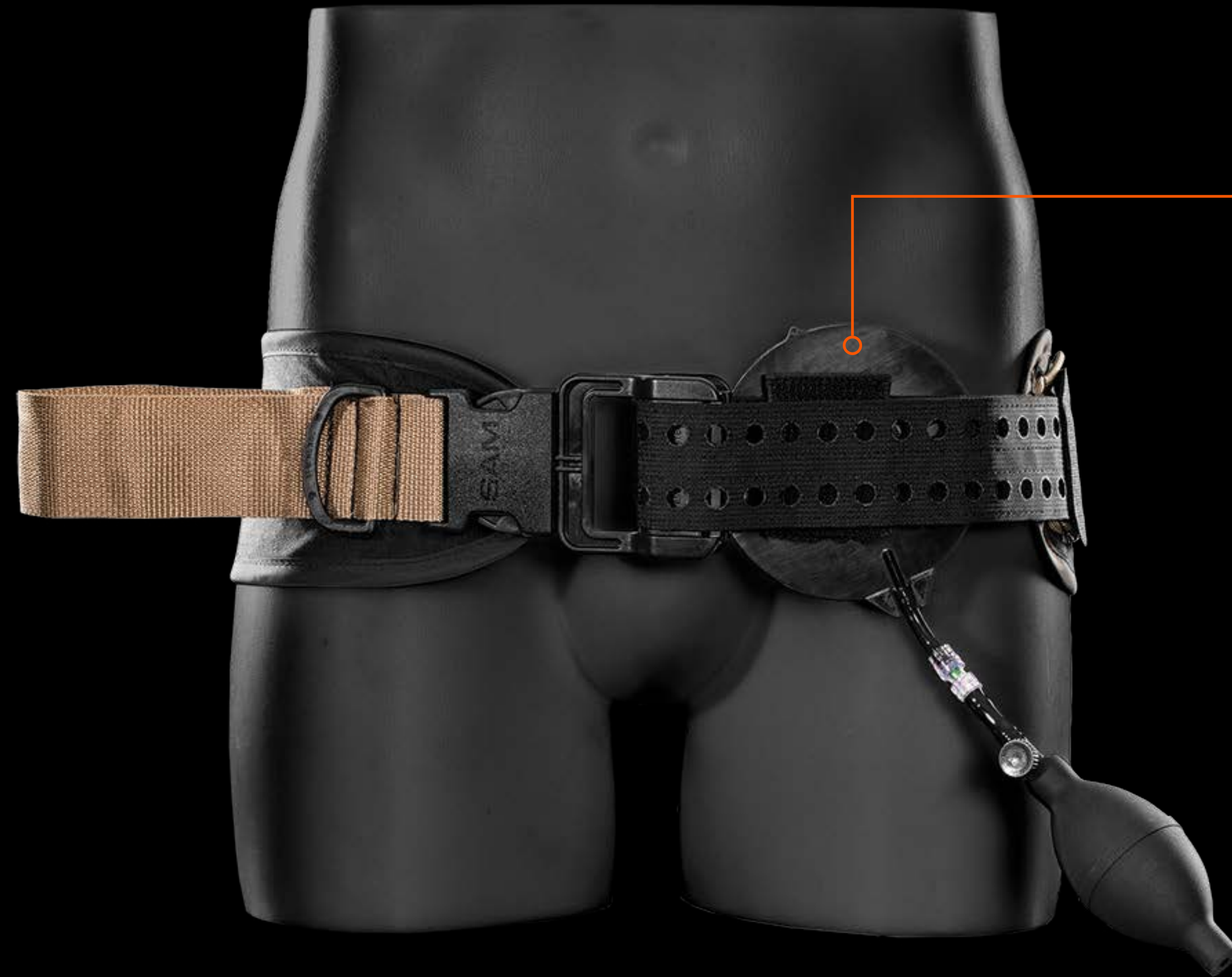
ENGINEERED TO PRESERVE LIFE



PRECISION STRAP

Precisely-engineered holes with AUTOSTOP Buckle, allowing for quick application. Secure fastening with sturdy hook and loop system

ENGINEERED TO PRESERVE LIFE



TARGET COMPRESSION DEVICE

The TCD inflates up to 3.2" to control bleeding from IED/blast injuries or high level amputations.

<https://www.youtube.com/watch?v=8e7bQQEA1B4>

ENGINEERED TO PRESERVE LIFE



CONTROL PUMP

Removable hand pump
Inflates Target
Compression Devices
(TCD) to control
hemorrhages and
bleeding.

ENGINEERED TO PRESERVE LIFE



TCD EXTENDER

Fits over the top of the Target Compression Device to provide the only junctional tourniquet application for upper body injuries.

ENGINEERED TO PRESERVE LIFE

AUXILIARY STRAP

Used to secure upper junctional wounds or three-point harness style axillary applications.





WHY SGT?

WHY SJT?



RAPID APPLICATION

SJT can be applied in under 25 seconds, controlling bleeding and immobilizing pelvic fractures.



DUAL TECHNOLOGY BUCKLE

Fastex System allows quick fastening of the SJT belt, while the **AUTO Stop Buckle** provides an audible feedback confirming proper application.



WHY SJT?

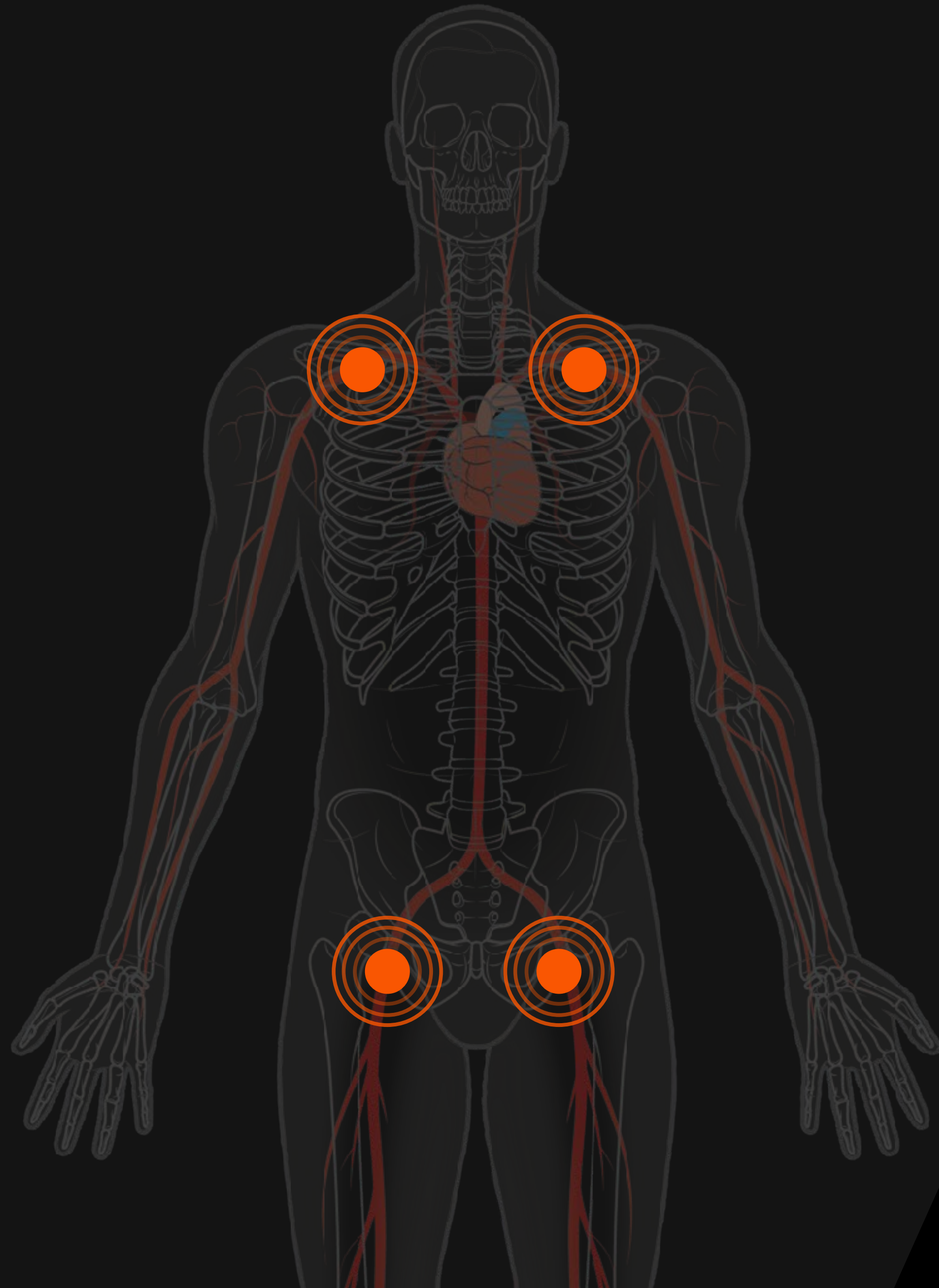
**FDA “CLEARED”
FOR PELVIC BINDING**



BILATERAL

Two TCDs can be used to occlude blood flow bi-laterally if needed.

WHY SJT?



UPPER & LOWER JUNCTIONAL APPLICATIONS

SJT is designed to control bleeding in areas where standard tourniquets would not be effective, such as with IED/Blast injuries or high level amputations.

The SJT can be used to control hemorrhage in the inguinal, subclavian or axilla areas.



TRANSPORT STABLE

the SJT maintains both its circumferential tension around the pelvis, as well as the occlusive pressure from the TCD(s) during transport.

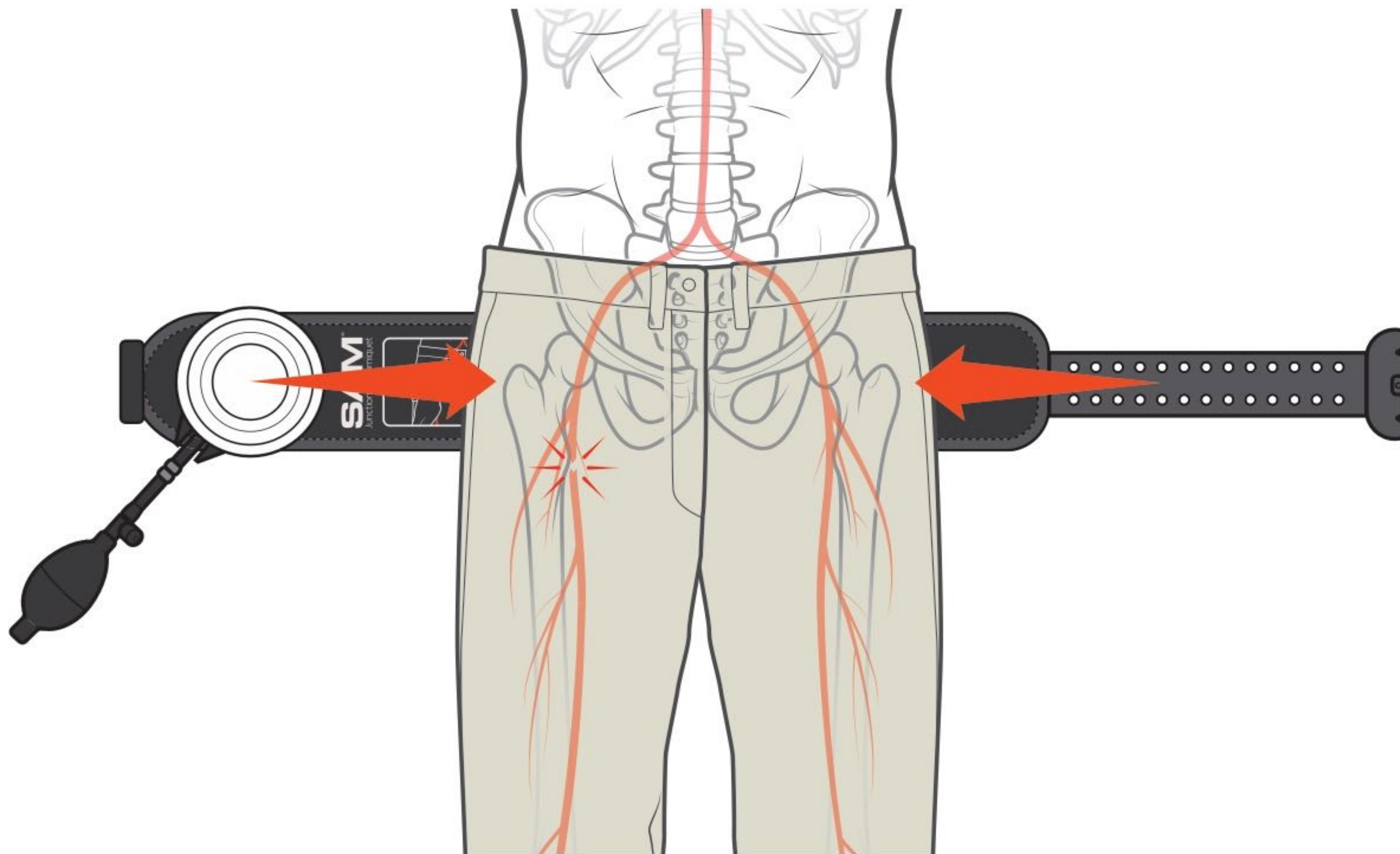


SJT APPLICATION

<https://www.sammedical.com/training/sam-sjt-training>

GROIN APPLICATION

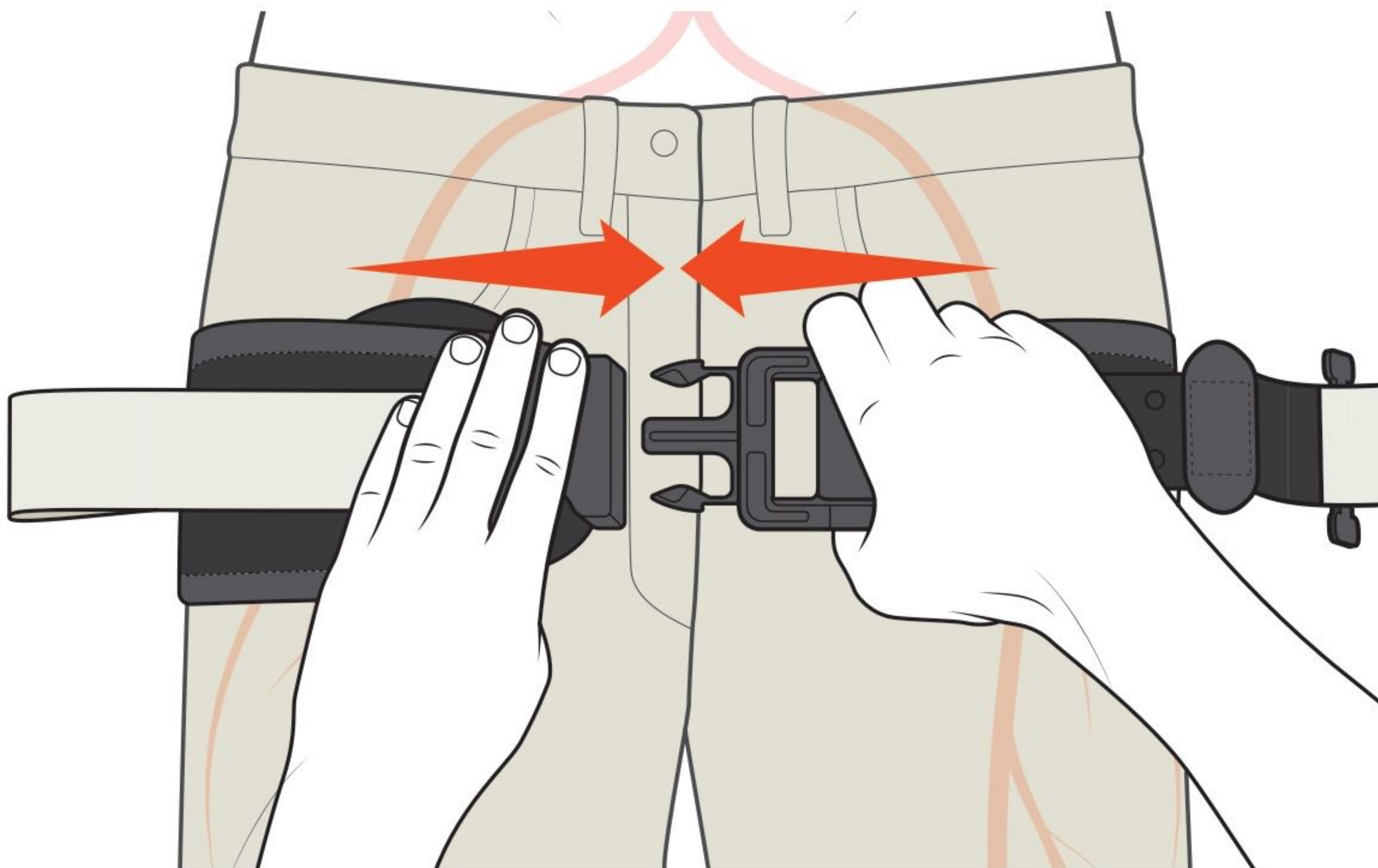
<https://www.youtube.com/watch?v=BTEbSowoSci>



STEP 1

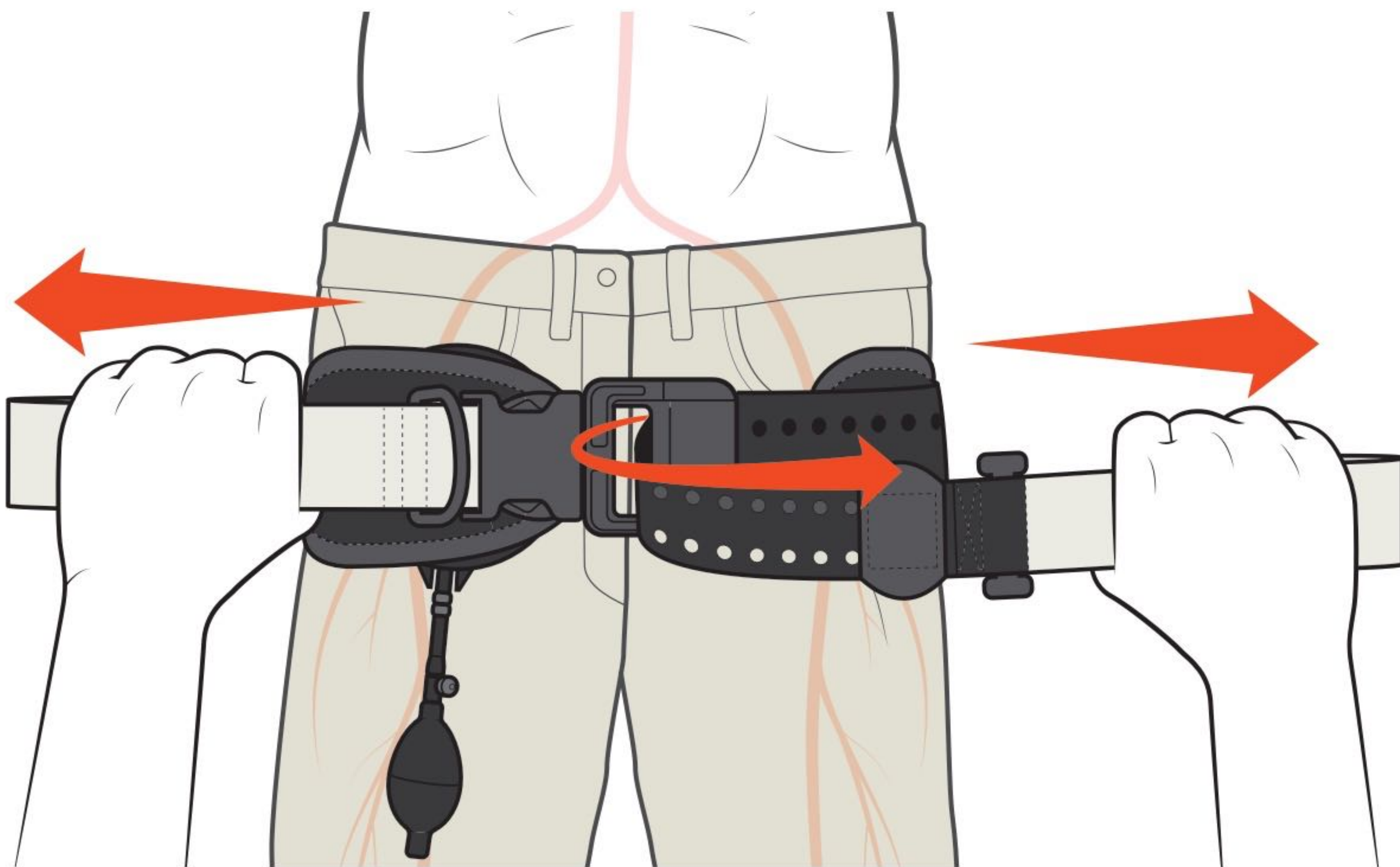
Slide the belt underneath the patient, positioning the Target Compression Device (TCD) over the area to be compressed.

Use sterile gauze or hemostatic dressing if targeting directly over a wound. For bi-lateral application use a second TCD.



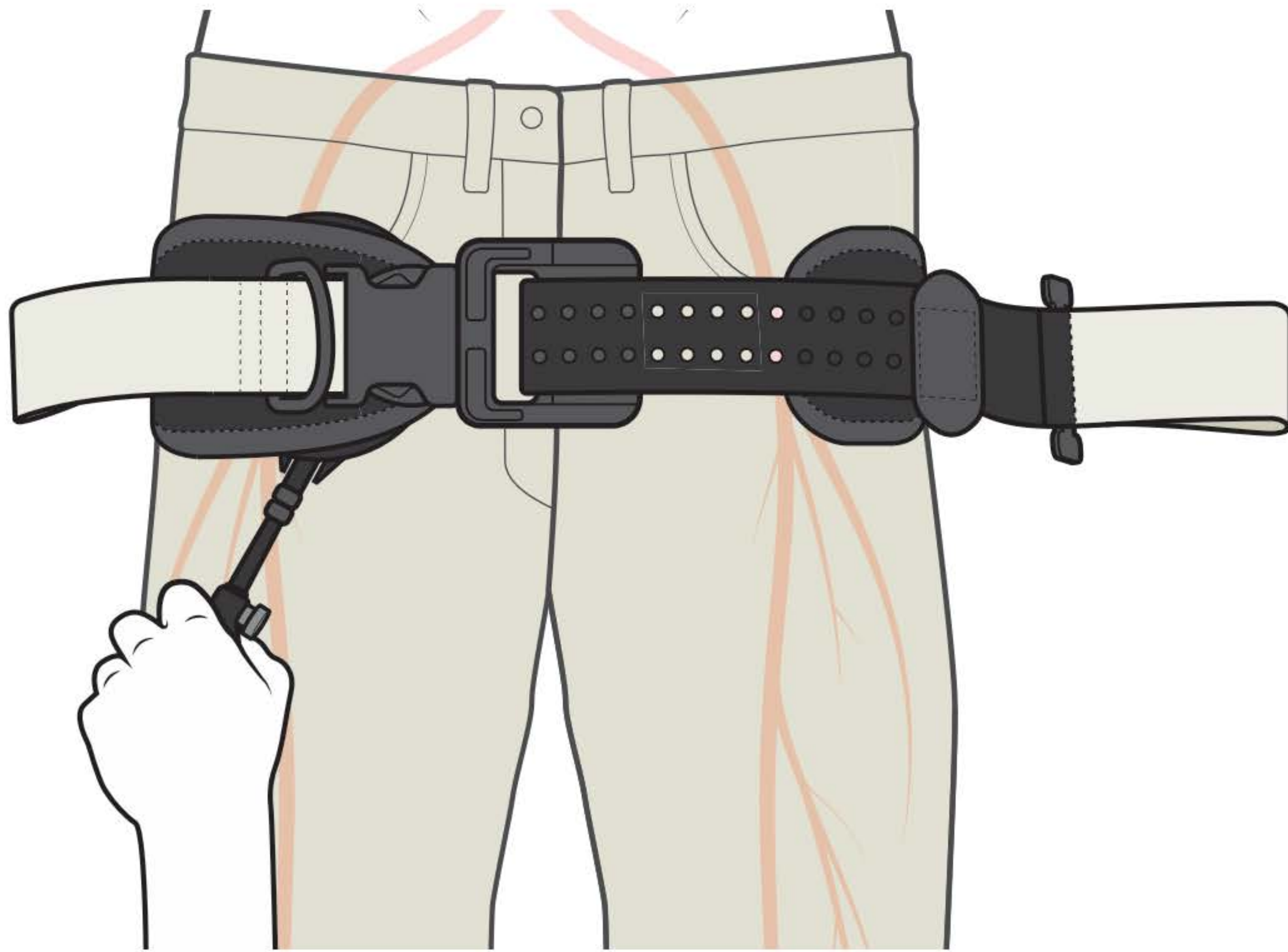
STEP 2

Hold the TCD in place and connect the belt using the buckle.



STEP 3

Pull the brown handles away from each other until the buckle secures. You will hear an audible click. Fasten excess belt in place by pressing it down on the Velcro. You may hear a second click once the belt is secure.



STEP 4

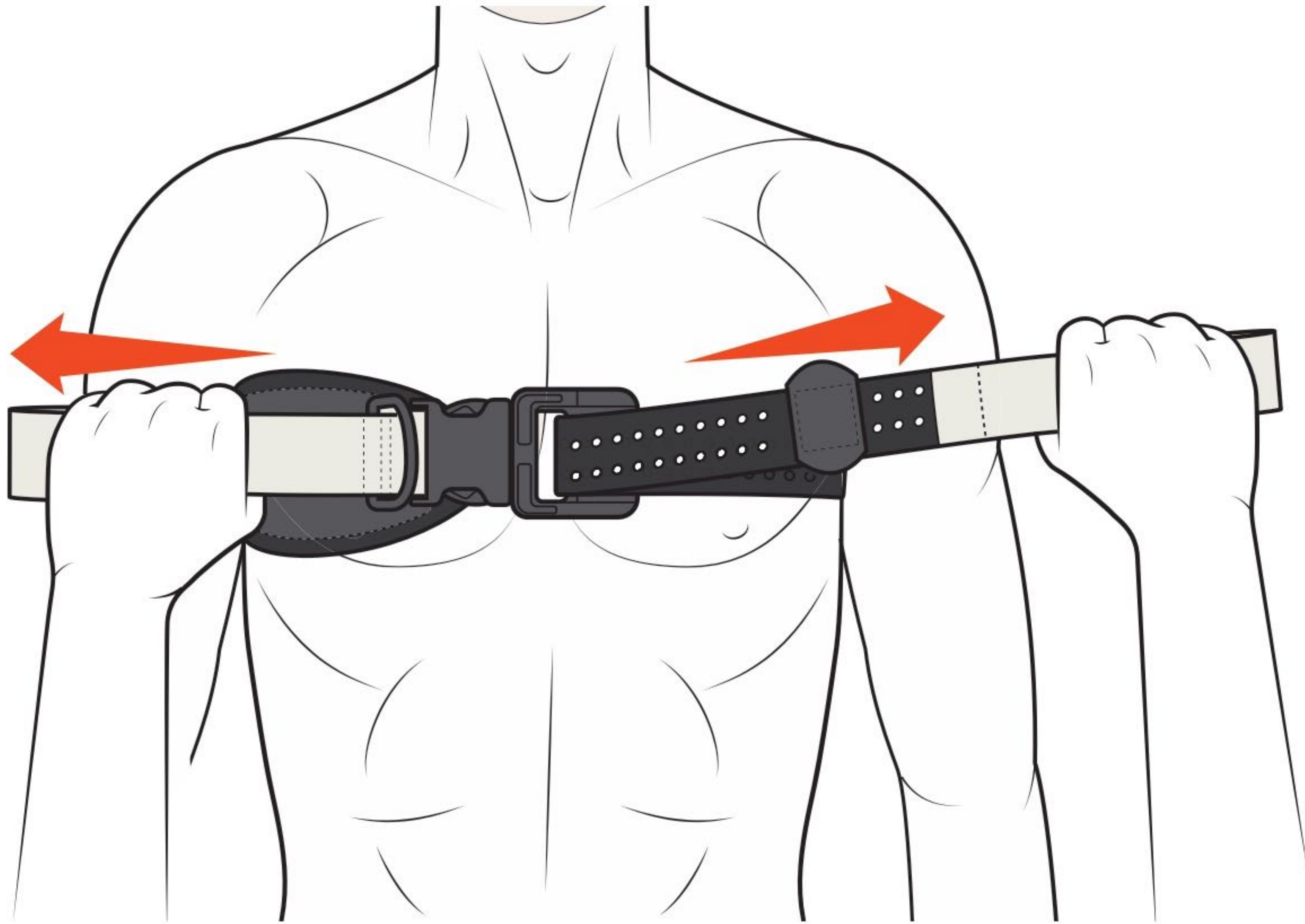
A Use the hand pump to inflate the TCD until hemorrhage stops.

B Monitor patient during transport for hemorrhage control and adjust the device if necessary.

TO REMOVE, unbuckle the belt.

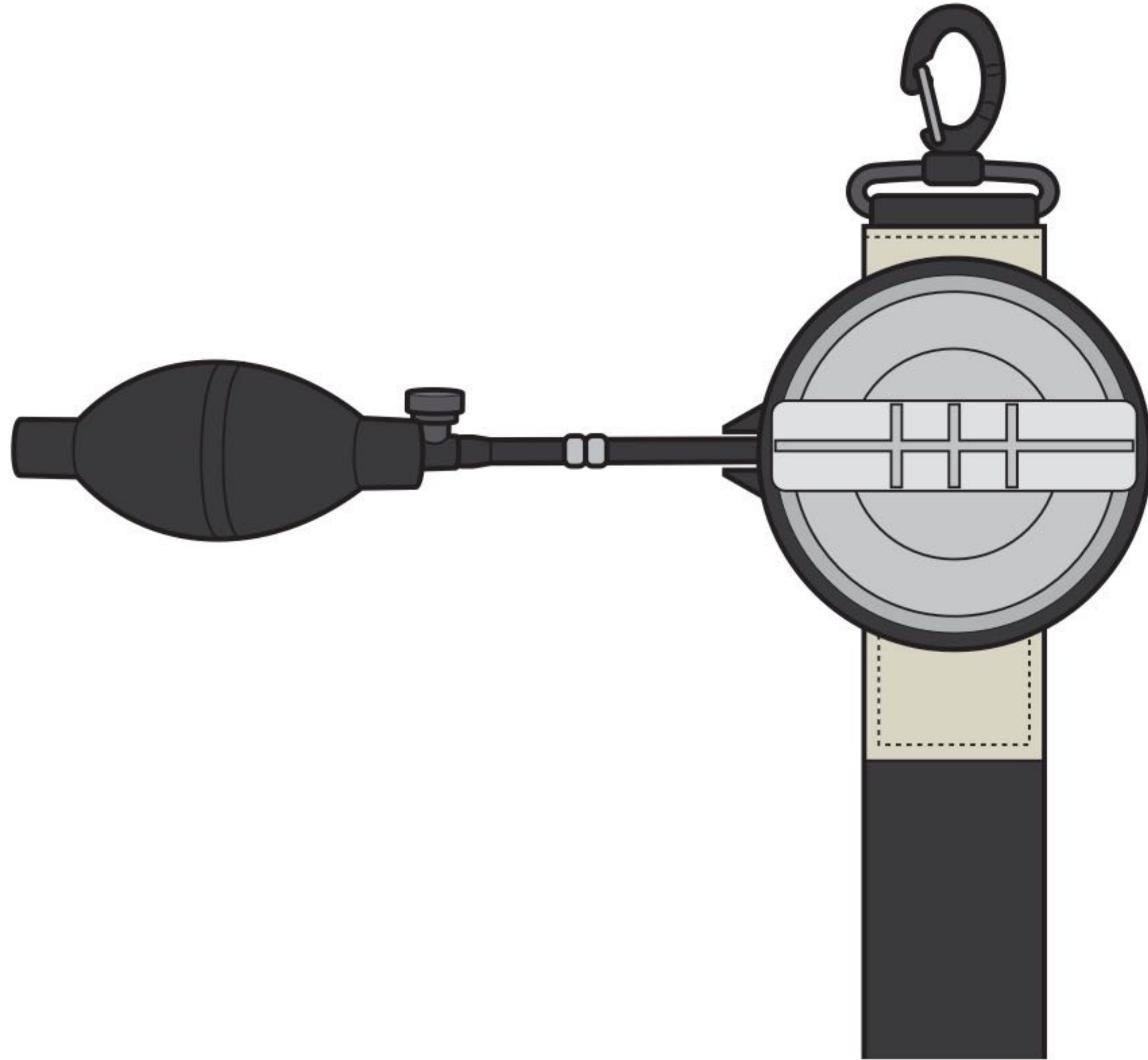
SUBCLAVIAN APPLICATION

<https://www.youtube.com/watch?v=6QBGYkrK8QE>



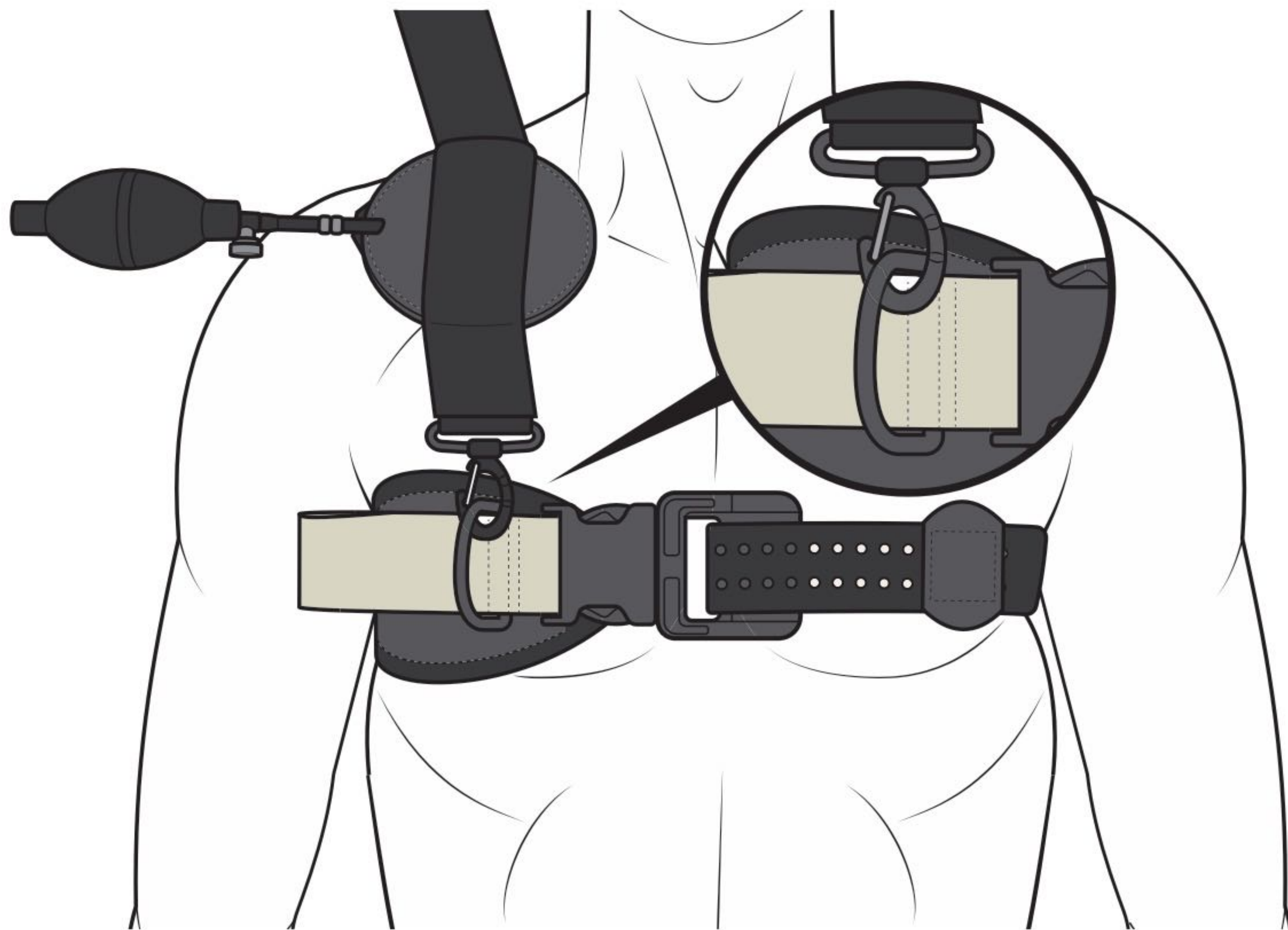
STEP 1

Apply the SJT to the patient under the arms, as high as possible. Place the D-ring on the injured side, aligning it with the side of the neck. Connect the buckle and secure the strap in place by pulling the brown handles apart until you hear it click.



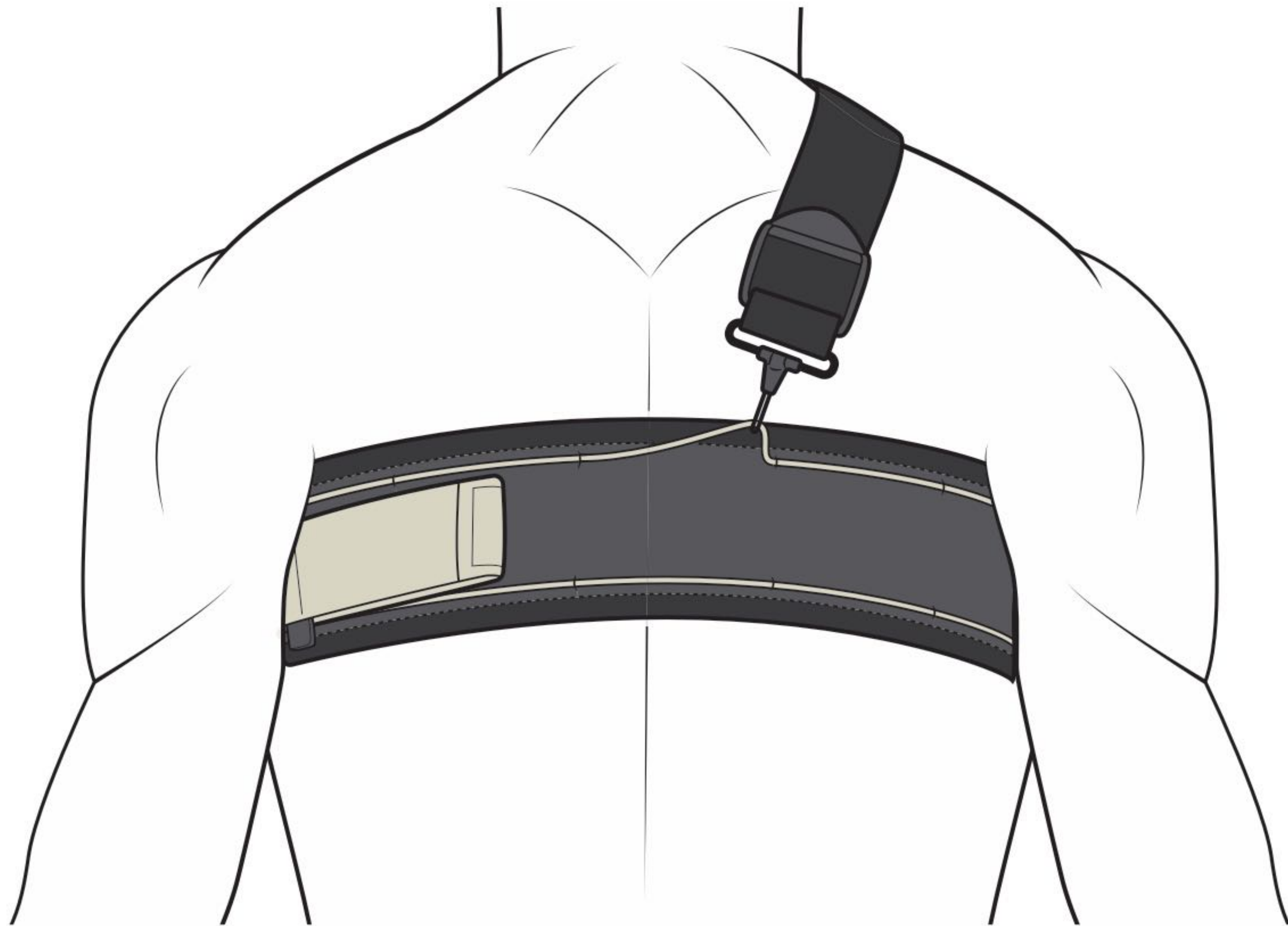
STEP 2

Attach the Extender to the TCD prior to application and place on the strap on the brown Velcro.



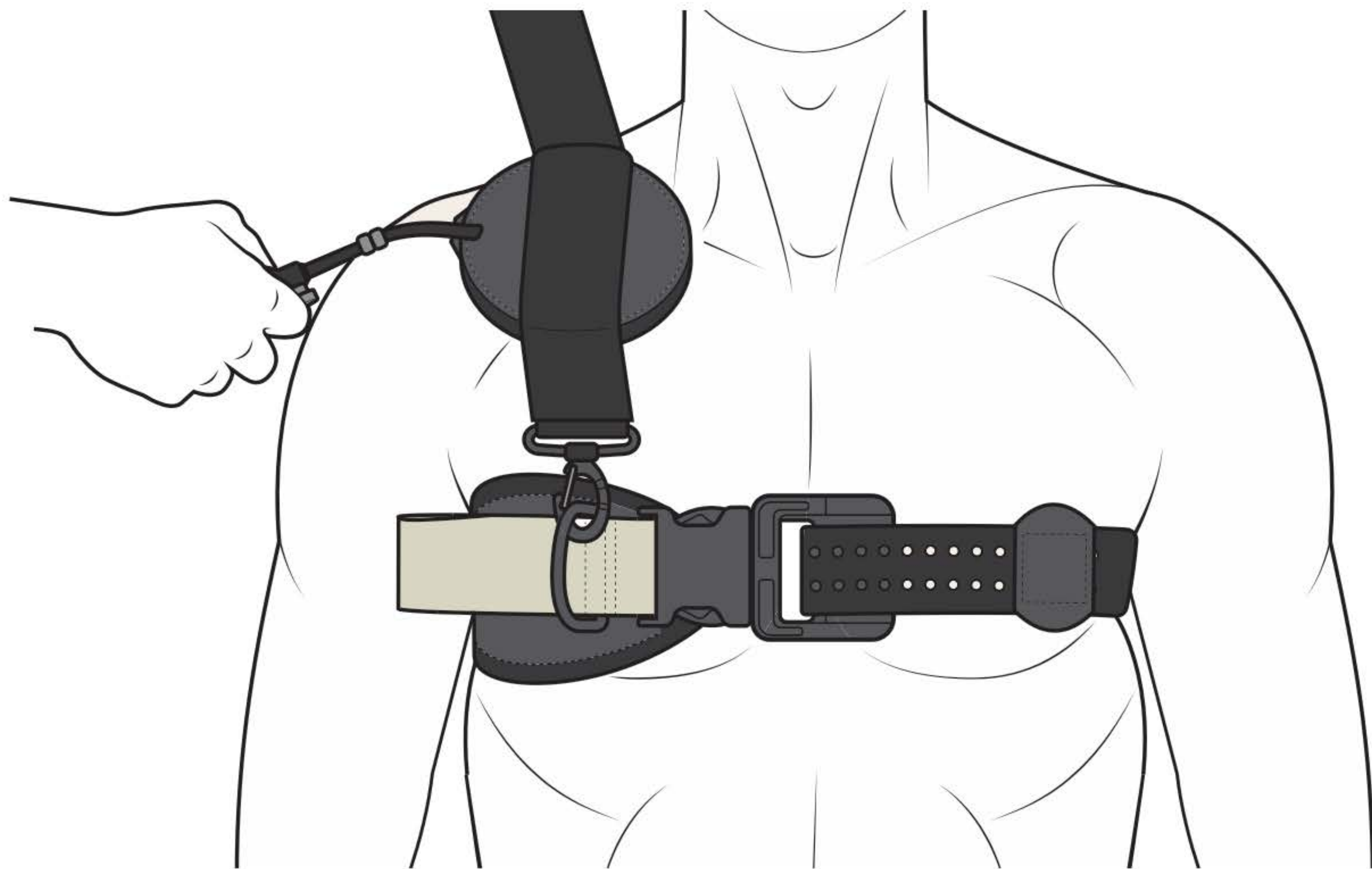
STEP 3

Connect the strap using the large clip to the D-ring on the front of the SJT.



STEP 4

Connect the auxiliary strap to the cord on the back of the SJT using the small clip, as close as possible to the patient's mid-line.



STEP 5

A Tighten the strap as much as possible using the brown handle. Use the pump to inflate the TCD until hemorrhage stops.

B Monitor patient during transport for hemorrhage control and adjust the device if necessary.

TO REMOVE, unbuckle the belt.



SUMMARY

SUMMARY

SPEED = REDUCED BLOOD LOSS

SLACK CONTROL

BILATERAL

UPPER & LOWER

“FDA CLEARED” FOR PELVIC BINDING

TRANSPORT STABLE



FAQS



FAQS

What if the patient has bilateral injuries, too high for a limb tourniquet to be applied?

The SAM Junctional Tourniquet can be applied with two TCD's (Targeted Compression Devices) to stop the flow of bleeding bi-laterally. Place the TCDs over the affected areas to occlude blood flow and inflate them individually until the bleeding stops.

FAQS



Why does the SAM Junctional Tourniquet use pneumatic devices?

At SAM, we examined the strengths and weakness of both mechanical and pneumatic approaches to hemorrhage control. The SAM Junctional Tourniquet incorporates the best of both, with a strong mechanical buckle component based on our successful pelvic sling. This buckle controls baseline pressure and eliminates slack. The pneumatic Target Compression Device (TCD) inflates quickly to minimize the loss of blood from the patient.

FAQS

What is the difference between the SAM Junctional Tourniquet and other devices used for pelvic fracture immobilization?

The SAM Junctional Tourniquet is designed to prevent over and under-tightening. It is the only pelvic binder that will ensure the compression force required to safely and effectively stabilize pelvic ring fractures



REGULATORY



Emergo Europe, Prinsessegracht 20,
2514 AP, The Hague, The Netherlands



SAM Medical Products®
12200 SW Tualatin Rd., Ste 200
Tualatin, OR 97062 USA

MORE INFO

sammedical.com

THANK YOU

SAM[®]
MEDICAL